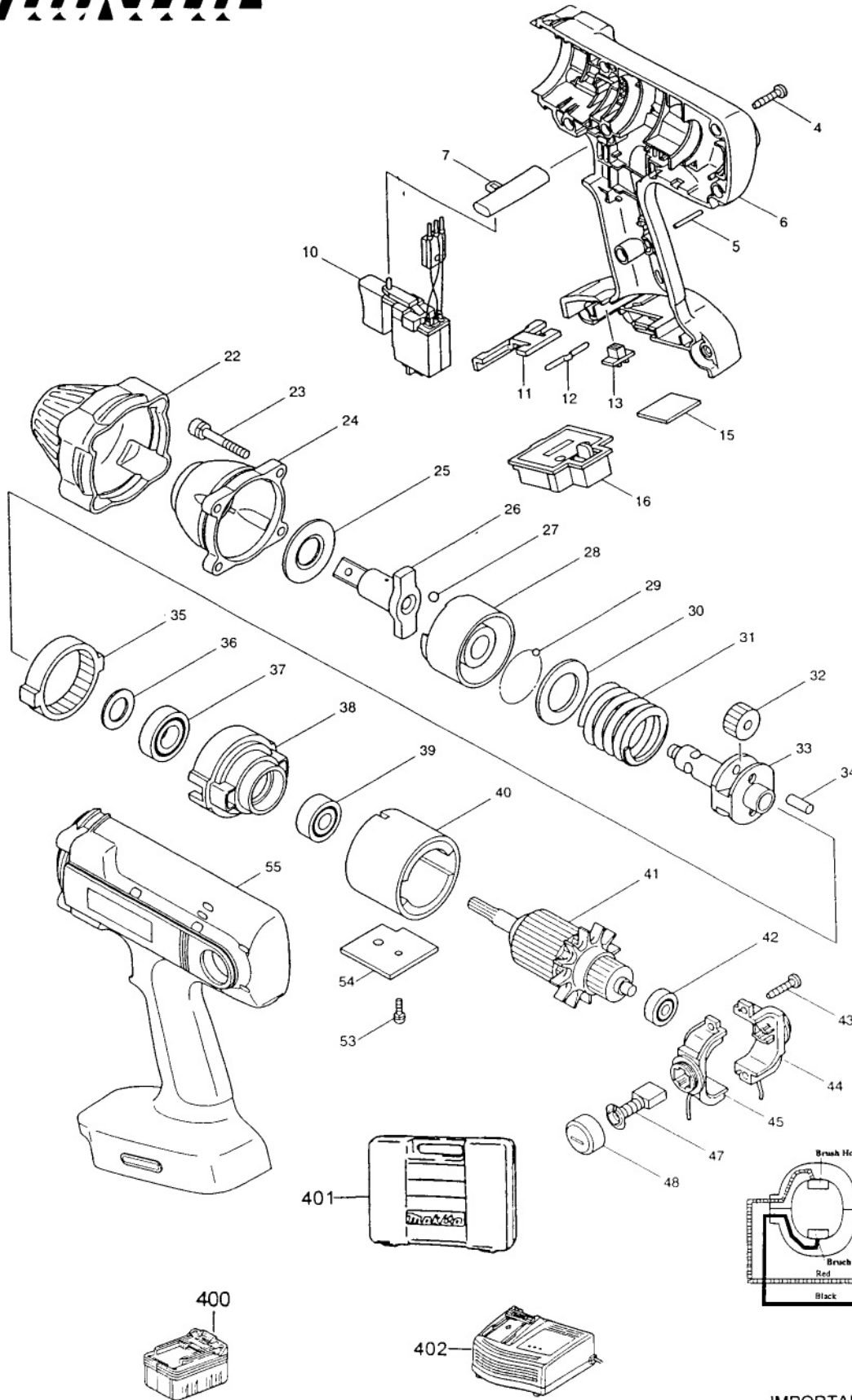


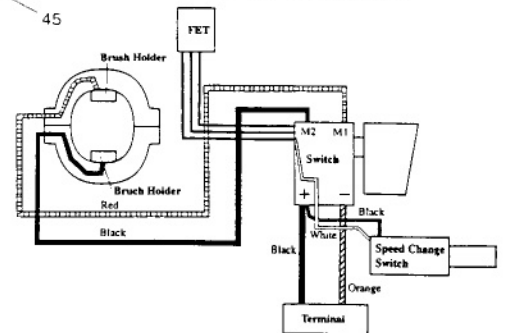


CORDLESS IMPACT WRENCH

MODEL BTW200SH



WIRING DIAGRAM



IMPORTANT! – To assure product SAFETY and RELIABILITY, repairs, maintenance or adjustments should be performed by MAKITA Service Centers, or other qualified service organizations. Always use MAKITA replacement parts.

Fig.	Part No.	Qty. Used	Description	Fig.	Part No.	Qty. Used	Description
4	265995-6	9	TAPPING SCREW 4X18	36	267215-4	1	FLAT WASHER 15
5	256176-3	1	PIN 2.5	37	211237-6	1	BALL BEARING 6002LLB
6	183257-9	1	HOUSING SET (INCL. FIG. 55)	38	417336-4	1	INTERNAL GEAR CASE
7	416079-5	1	F/R CHANGE LEVER	39	211061-7	1	BALL BEARING 6000LLB
10	651994-8	1	SWITCH	40	638020-0	1	YOKE UNIT
11	344898-8	1	SUPPORT PLATE	41	519063-0	1	ARMATURE ASS'Y (INC FIG39,42)
12	232198-7	1	LEAF SPRING	42	211021-9	1	BALL BEARING 607LLB
13	417337-2	1	H/L CHANGE LEVER	43	265995-6	2	TAPPING SCREW 4X18
15	413086-9	1	PLATE	44	643968-3	1	BRUSH HOLDER
16	643955-2	1	TERMINAL	45	643969-1	1	BRUSH HOLDER
22	421757-4	1	BUMPER	47	191976-3	1	CARBON BRUSH CB-432
23	266271-1	4	HEX. S. HEAD BOLT M5X35	48	643941-3	2	HOLDER CAP
24	151981-2	1	HAMMER CASE COMPLETE	53	911006-2	1	PAN HEAD SCREW M3X8
25	267054-2	1	FLAT WASHER 18	54	689070-8	1	HEAT SINK
26	322276-2	1	ANVIL	55	183257-9	1	HOUSING SET (INCL. FIG. 6)
27	216011-7	2	STEEL BALL 5.6				
28	322459-4	1	HAMMER				
29	216008-6	25	STEEL BALL 4				
30	267088-5	1	FLAT WASHER 28				
31	233079-8	1	COMPRESSION SPRING 30				
32	227005-7	2	SPUR GEAR 24				
33	324030-0	1	SPINDLE				
34	256033-5	2	PIN 6				
35	227004-9	1	INTERNAL GEAR 55				
				<u>ACCESSORIES</u>			
				400	193128-2	1	BATTERY B2417 (1.7AH)
				401	824593-1	1	PLASTIC TOOL CASE (INCL. 2 EA. LATCH 417075-6)
				402	DC24SA	1	BATTERY CHARGER 24V

2 MODEL BTW200SH

07-00